

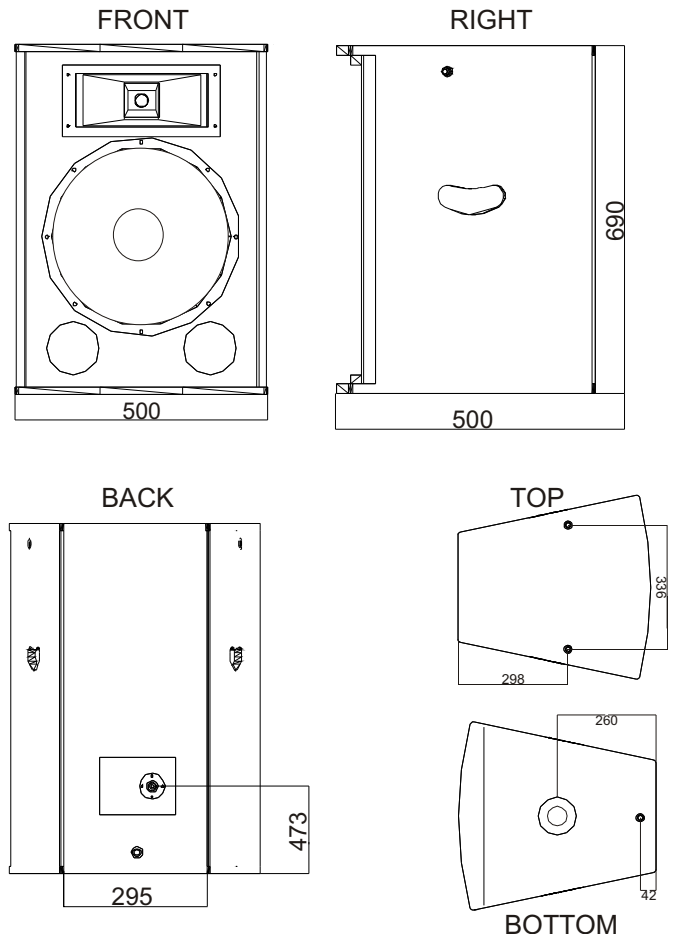
## Description

K15 is a two way trapezoidal full range loudspeaker. Passively crossovers, this model is CAD tuned with a little ripple to enhance the bass response. The 3" voice coil 15" combines a very good low end performance with an excellent linearity up to 2.5 KHz, from which the 1" compression driver, coupled to a 90°x40° exponential horn, responds with a extremely flat curve. The K15 delivers very high pressure level and it's well suited for short throw applications. The cabinet is CMC machined and made of Baltic birch plywood, coated weatherproof in black texture finish. Flying hardware and a recessed floor stand socket are included.

## Applications

The K15 is designed for several audio applications.

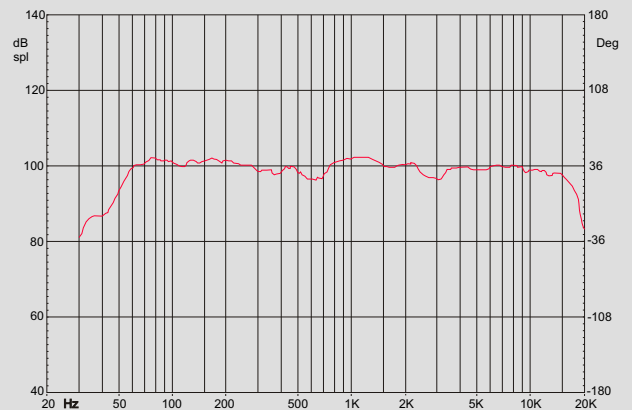
- Small mobile audio
- Disco or live music installations
- Sports arena



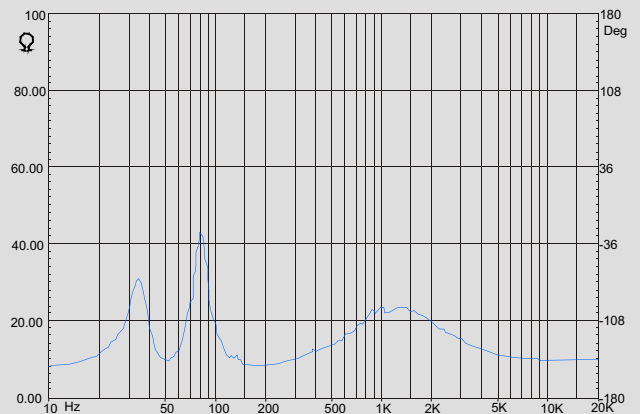
**TECHNICAL SPECIFICATIONS**

|                         |                                     |
|-------------------------|-------------------------------------|
| Frequency Response (Hz) | 53 Hz-19KHz $\pm$ 3dB               |
| Power Handling (Watts)  | 400 W RMS                           |
| Sensitivity             | 101 dB (1w/1m)                      |
| Nominal peak            | 127 dB                              |
| Coverage angle          | 90° horizontal 40° vertical         |
| Crossover               | 2.2KHz passive, assymetrical slope  |
| Impedance               | 8 Ohm                               |
| Drivers                 | LF: 1x15" HF: 1x1"+exponential horn |
| Connectors              | 2x4pin speakon                      |
| Dimensions              | Trapezoidal 69x50F/29.5R x 50       |
| Weight                  | 33 Kg                               |

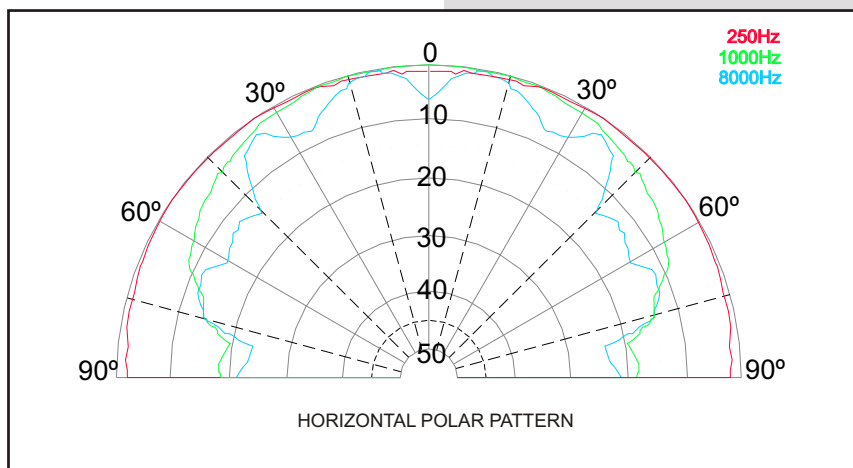
**DIAGRAMS**



FREQUENCY RESPONSE CURVE



IMPEDANCE CURVE



HORIZONTAL POLAR PATTERN



**tecnaRE**  
SOUND SYSTEMS

Is a™ Designed and manufactured in Spain by



exclusivas electroacústicas s.a.

Pº Ind. Monte Boyal. C/Encinar 282  
 45950 Casarrubios del Monte (Toledo). SPAIN.  
 Phone: +34 918 170 110  
 Fax: +34 918 183 053  
[www.tecnare.com](http://www.tecnare.com)  
[exel@tecnare.com](mailto:exel@tecnare.com)