



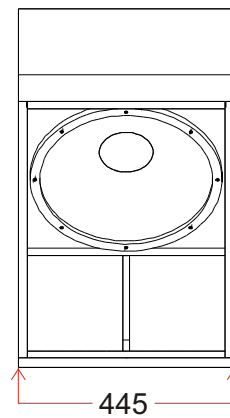
Description

The KSH115 is a high sensitivity bass cabinet, equipped with one 15" driver, whose rear is coupled to a horn and front direct radiating. The result is a deep and fast response usable in long as well as short throw applications. The construction is birch plywood painted in texture black finish.

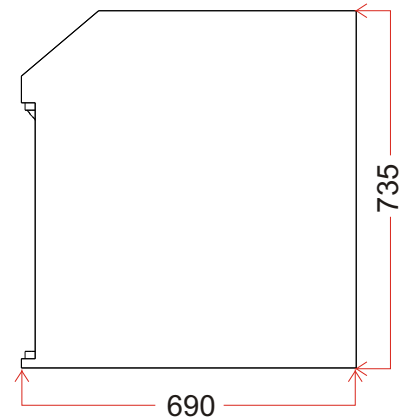
Applications

The KSH115 can be used as a subwoofer in applications such as pubs, discos, theaters,...

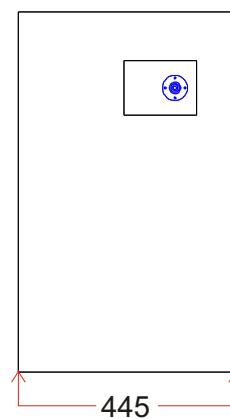
FRONT



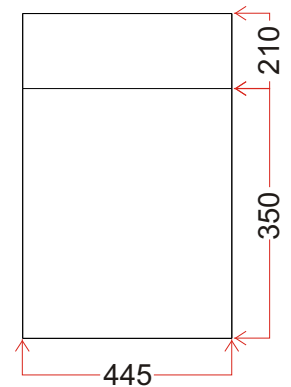
RIGHT



BACK



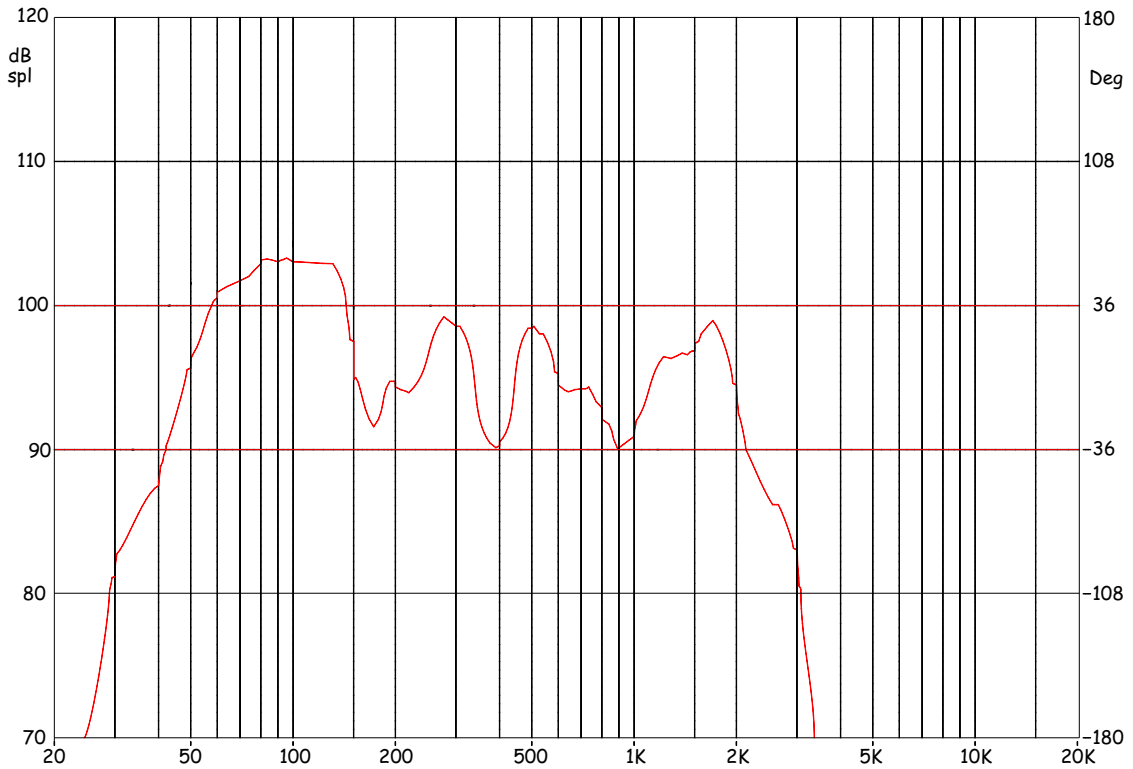
TOP



TECHNICAL SPECIFICATIONS

Frequency Response (Hz)	□ 3dB
Power Handling (Watts)	300 W RMS
Sensitivity	103 dB (1w/1m)
Nominal peak	128 dB
Coverage angle	N/A
Crossover	up to 800 Hz
Impedance	8 Ohm
Drivers	1X15
Connectors	2x4 pin spk
Dimensions	73.5 x 44.5 x 69 cm (HxWxD)
Weight	46 Kg

DIAGRAMS



FREQUENCY RESPONSE CURVE



tecnare
SOUND SYSTEMS

Is a™ Designed and manufactured in Spain by



Pº Ind. Monte Boyal. C/Encinar 282
 45950 Casarrubios del Monte (Toledo). SPAIN.
 Phone: +34 918 170 110
 Fax: +34 918 183 053
www.tecnare.com
exel@tecnare.com