



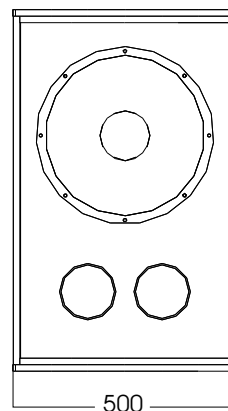
Description

The SW118 is a small but yet powerful vented subwoofer. It houses a 4" voice coil 18" long excursion driver, tuned to produce a deep and warm bass response. The primary applications are mid to short throw venues. It has trapezoidal shape, and it's painted in weather proof texture black finish applied to a birch plywood surface.

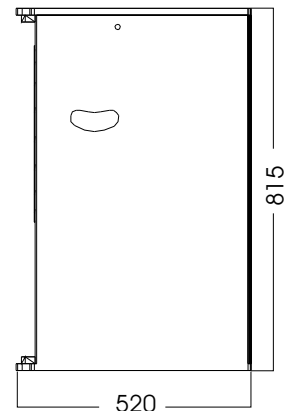
Applications

Design file applications : The SW118 is used as a subwoofer in a wide variety of applications where we don't need long throw. Indoors such as sports arenas, discos, theaters, pubs, ..., are better suited with this small but powerful sub.

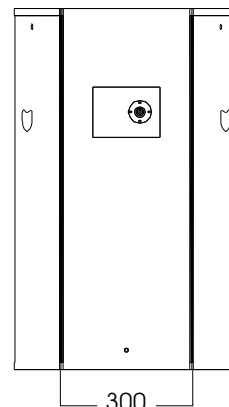
FRONT



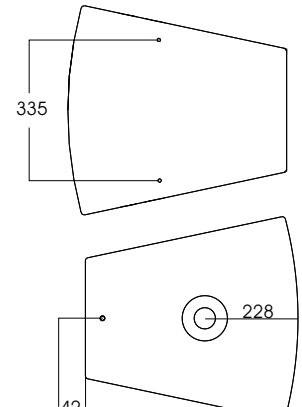
RIGHT



BACK



TOP



BOTTOM

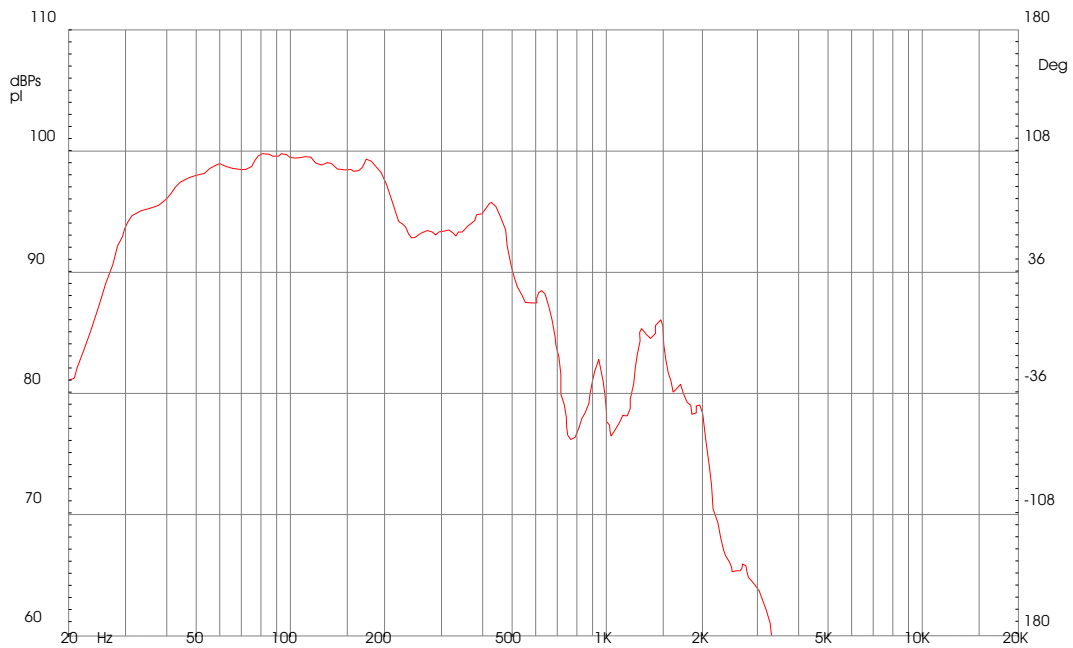


 Active PC
version
available

TECHNICAL SPECIFICATIONS

Frequency Response (Hz)	42 Hz-800Hz (±3 db)
Power Handling (Watts)	600 W RMS
Sensitivity	98 dB (1w/1m)
Nominal peak	126 dB
Coverage angle	N/A
Crossover	up to 800 Hz
Impedance	8 Ohm
Drivers	1X18"
Connectors	2x4pin speakon
Dimensions	81,5x50F/30 rear x 52 cm(H x W x D)
Weight	36 Kg

DIAGRAMS



L118

FREQUENCY RESPONSE CURVE



tecnare
SOUND SYSTEMS

Is a™ Designed and
manufactured in Spain by



Pº Ind. Monte Boyal. C/Encinar 282
45950 Casarrubios del Monte (Toledo). SPAIN.
Phone: +34 918 170 110
Fax: +34 918 183 053
www.tecnare.com
exel@tecnare.com